

UFO-工矿灯

Industrial and mining lamp

一：产品图(Product figure)



二：参数(parameter)

电源参数(Electrical requirements):

功率(Power): 100W/120W/150W

输入电压(Input Voltage): 90~265V

频率(Frequency): 50/60Hz

功率因子(Power factor): >95

光参数(Photometrical characteristics):

LED

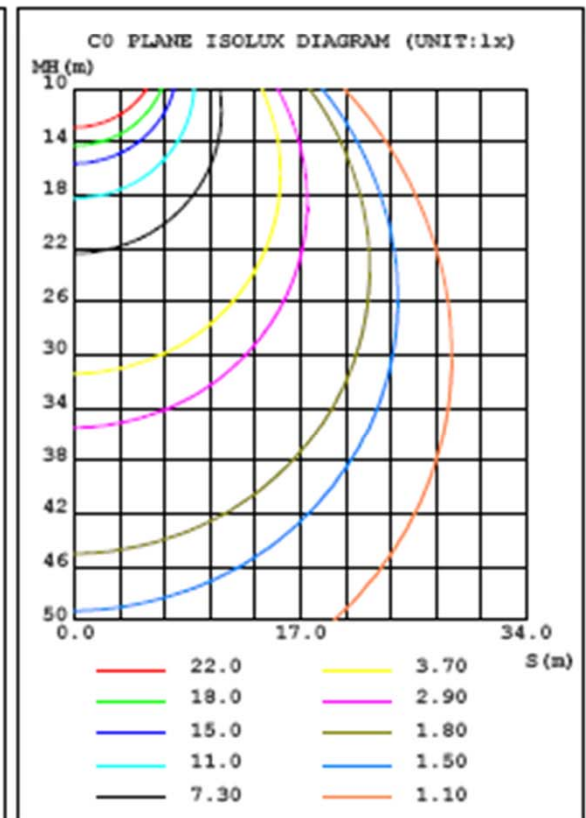
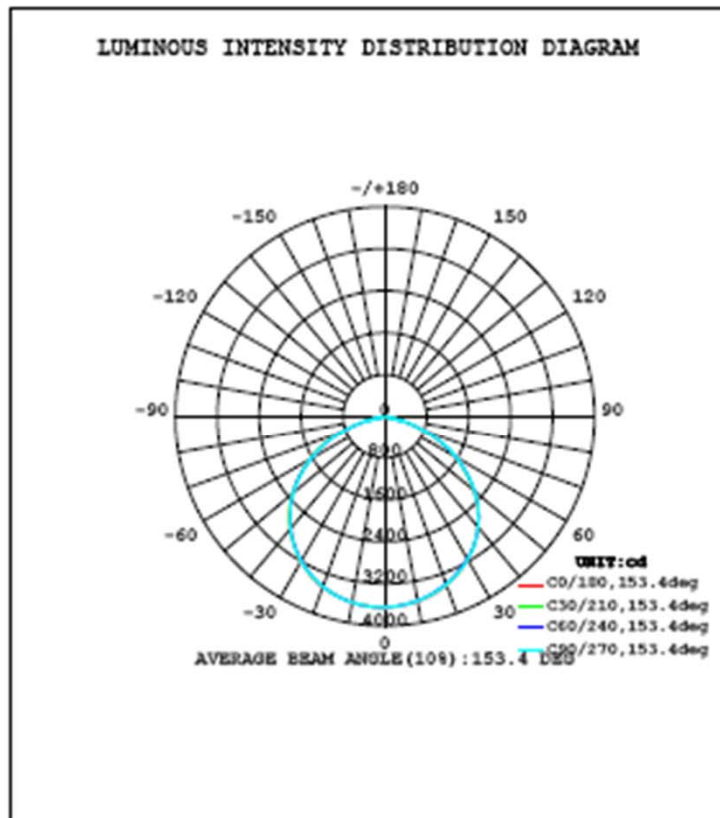
色温Color Characteristics : 6000K

显指Color rendering index (Ra):>80

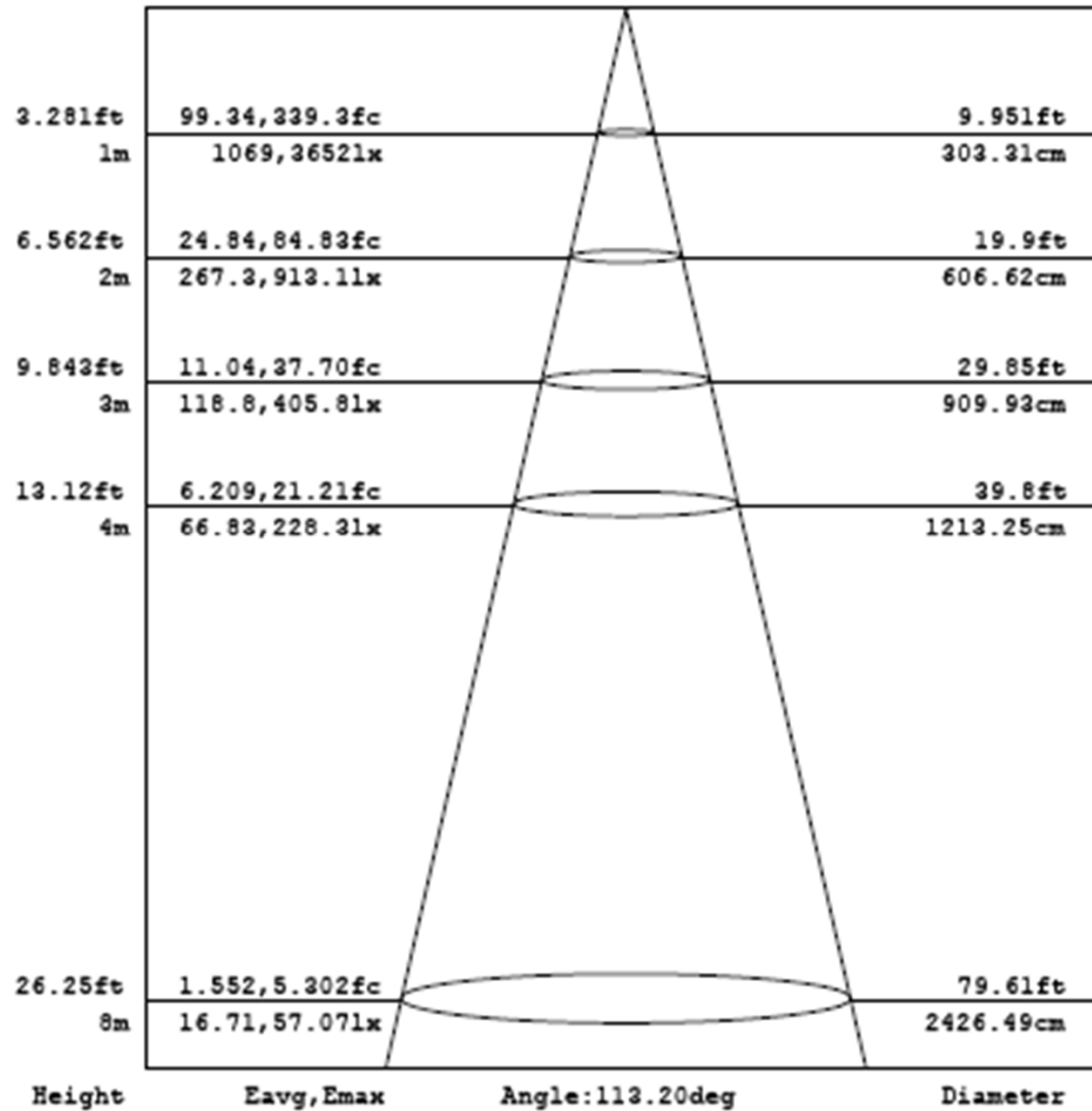
光效Luminous Efficacy:100LM/W

三:测试数据(TEST DATA)

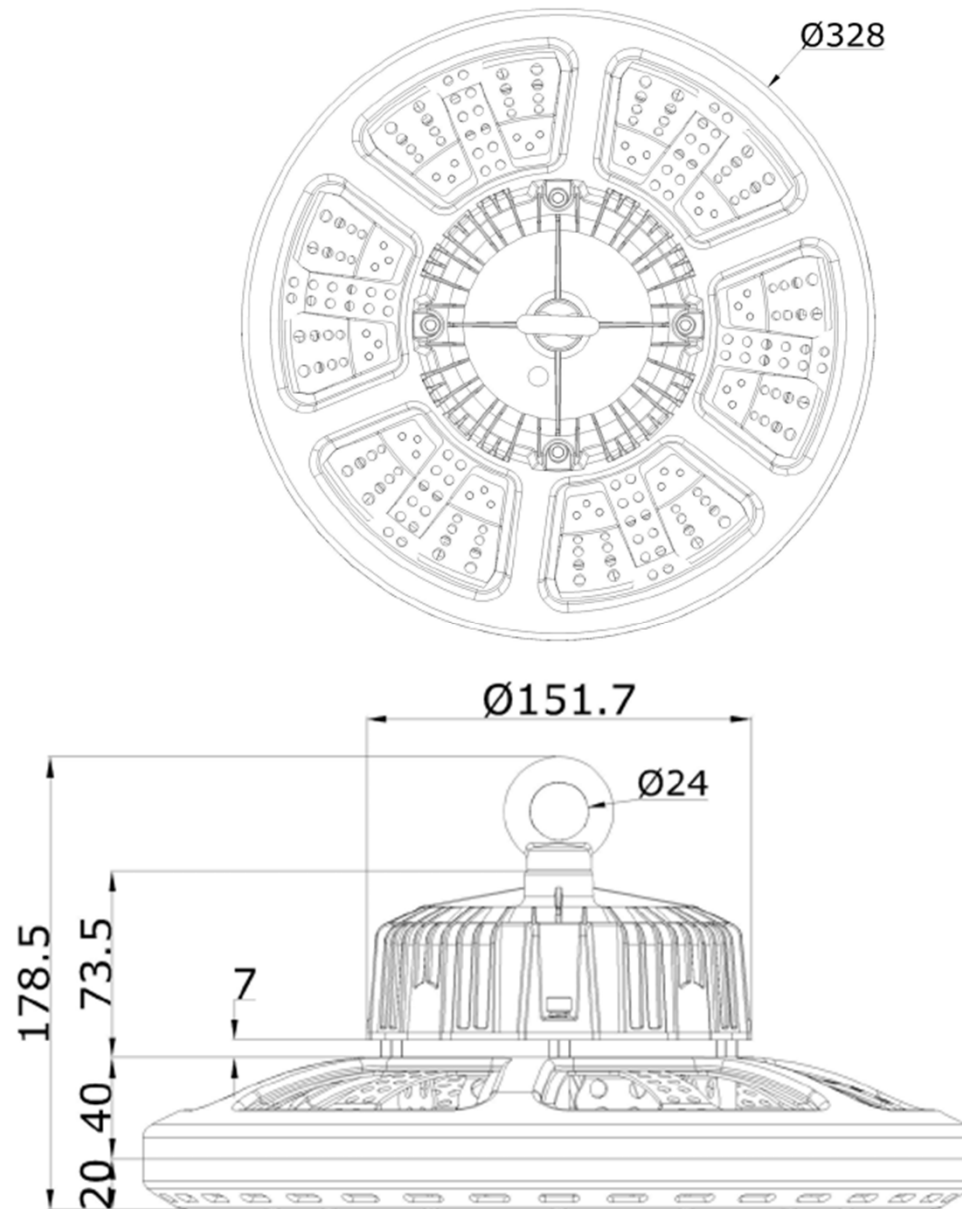
DATA OF LAMP		PHOTOMETRIC DATA Eff: 104.96 lm/W			
MODEL 型号	공칭용 100W(삼성LED)	I _{max} (cd)	3654	S/MB(C0/180)	1.30
NOMINAL POWER(W)		LOR(%)	100.0	S/MB(C90/270)	1.30
RATED VOLTAGE(V)	220	TOTAL FLUX(lm)	10318	η UP, DN(C0-180)	0.4, 48.9
NOMINAL FLUX(lm)	10317.7	CIE CLASS	DIRECT	η UP, DN(C180-360)	0.5, 50.2
LAMPS INSIDE	1	η up(%)	0.9	CIBSE SHR NOM	1.25
TEST VOLTAGE(V)	220	η down(%)	99.1	CIBSE SHR MAX	1.35



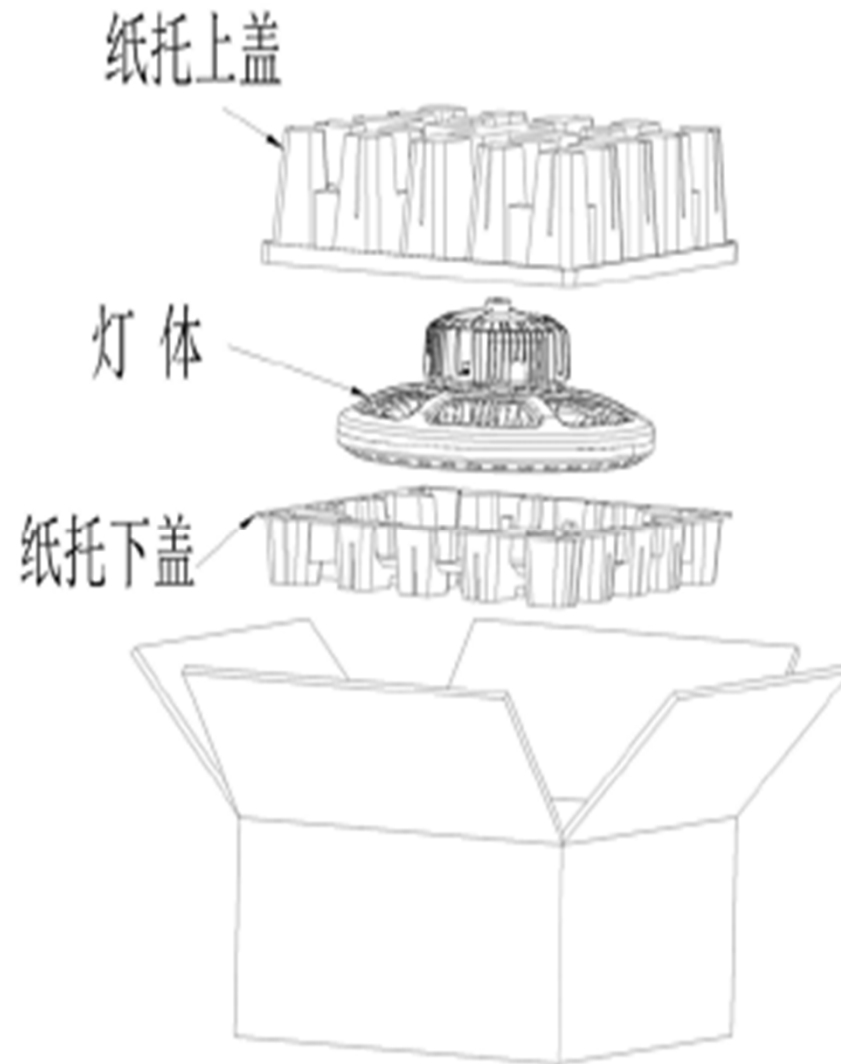
Flux out: 7966 lm



四:外观尺寸(Appearance of size)



五:包装(Packaging):



注:包装有所变化,另外解释